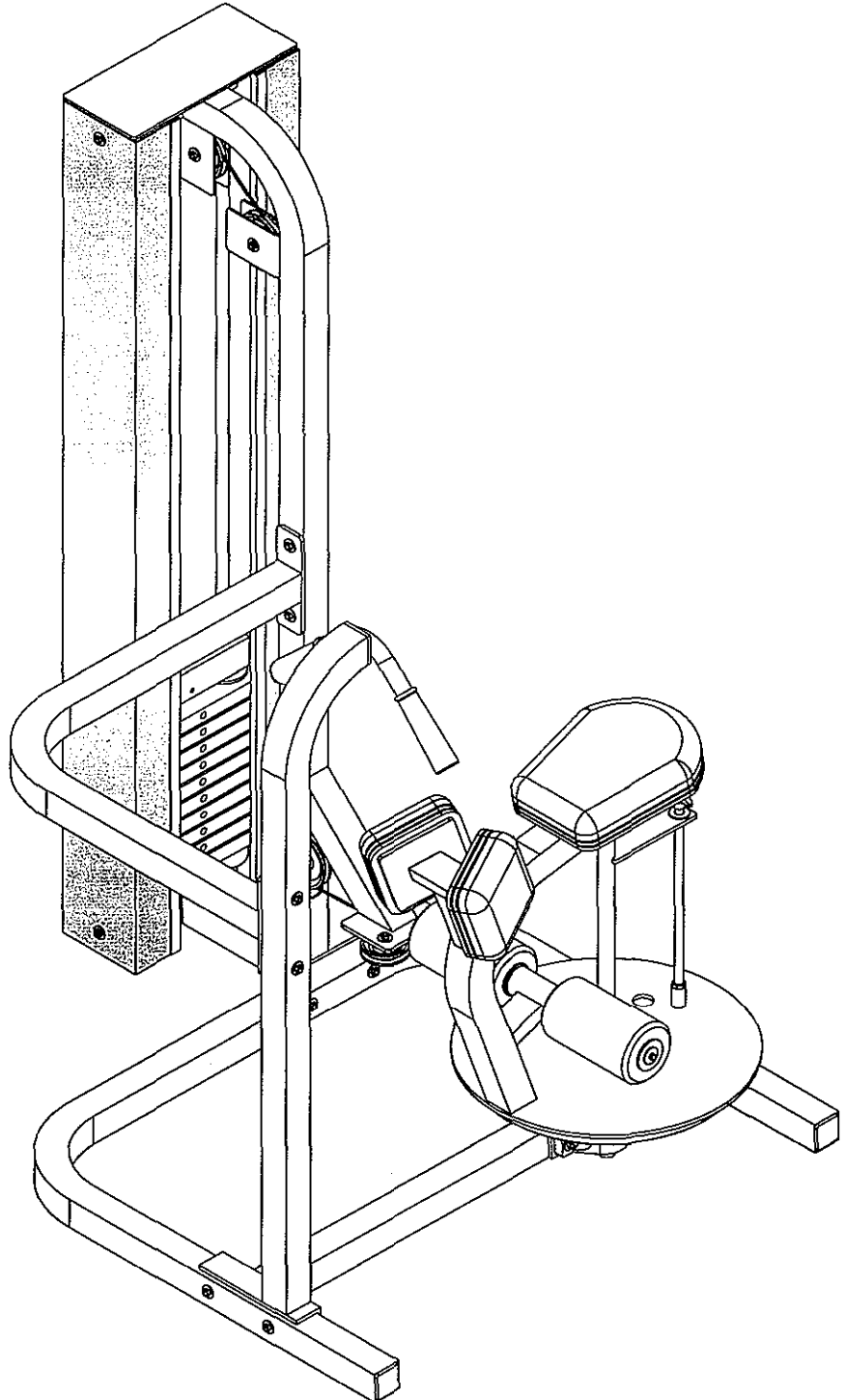


HOIST[®]
FITNESS SYSTEMS

S602

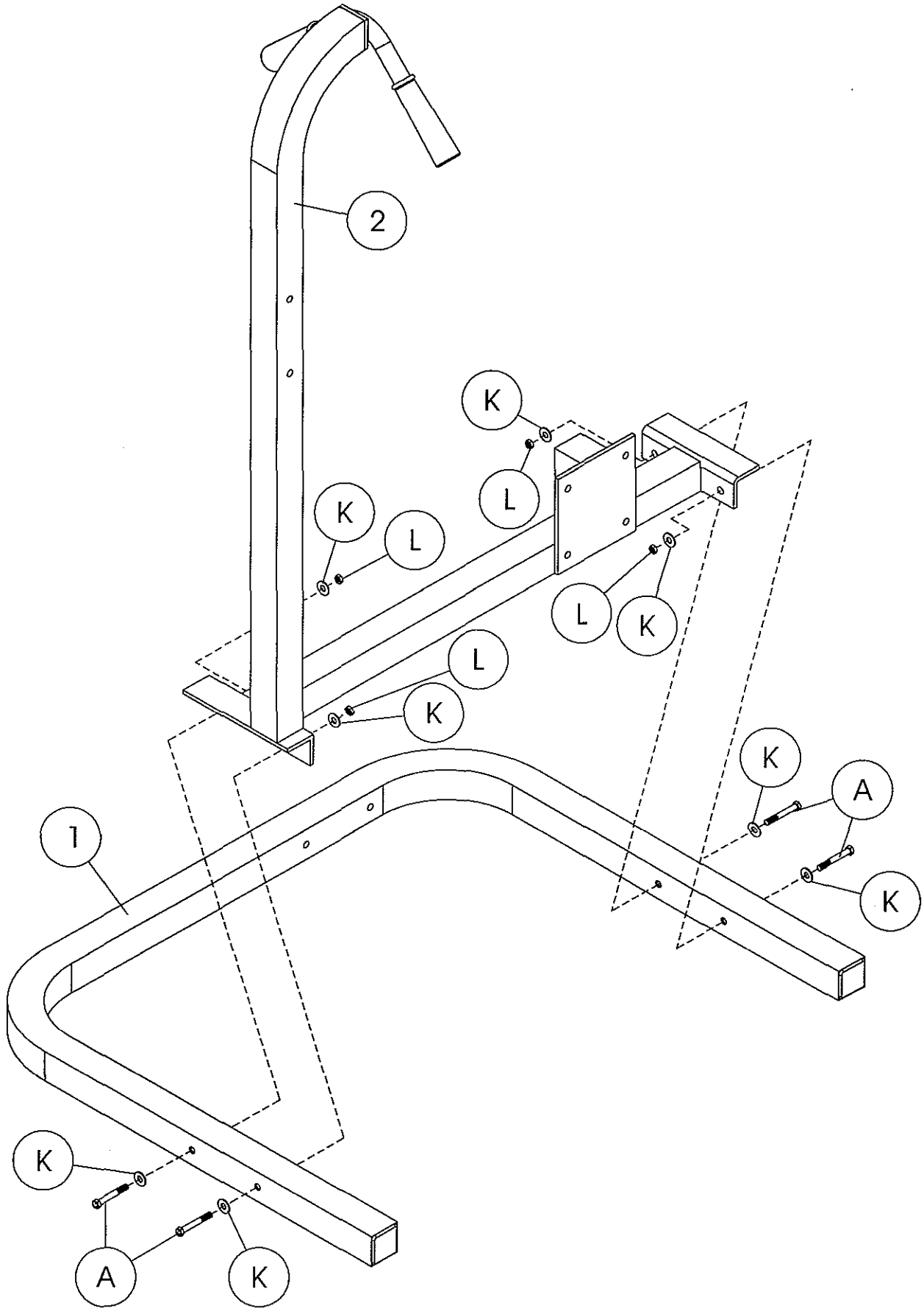
ROTARY TORSO



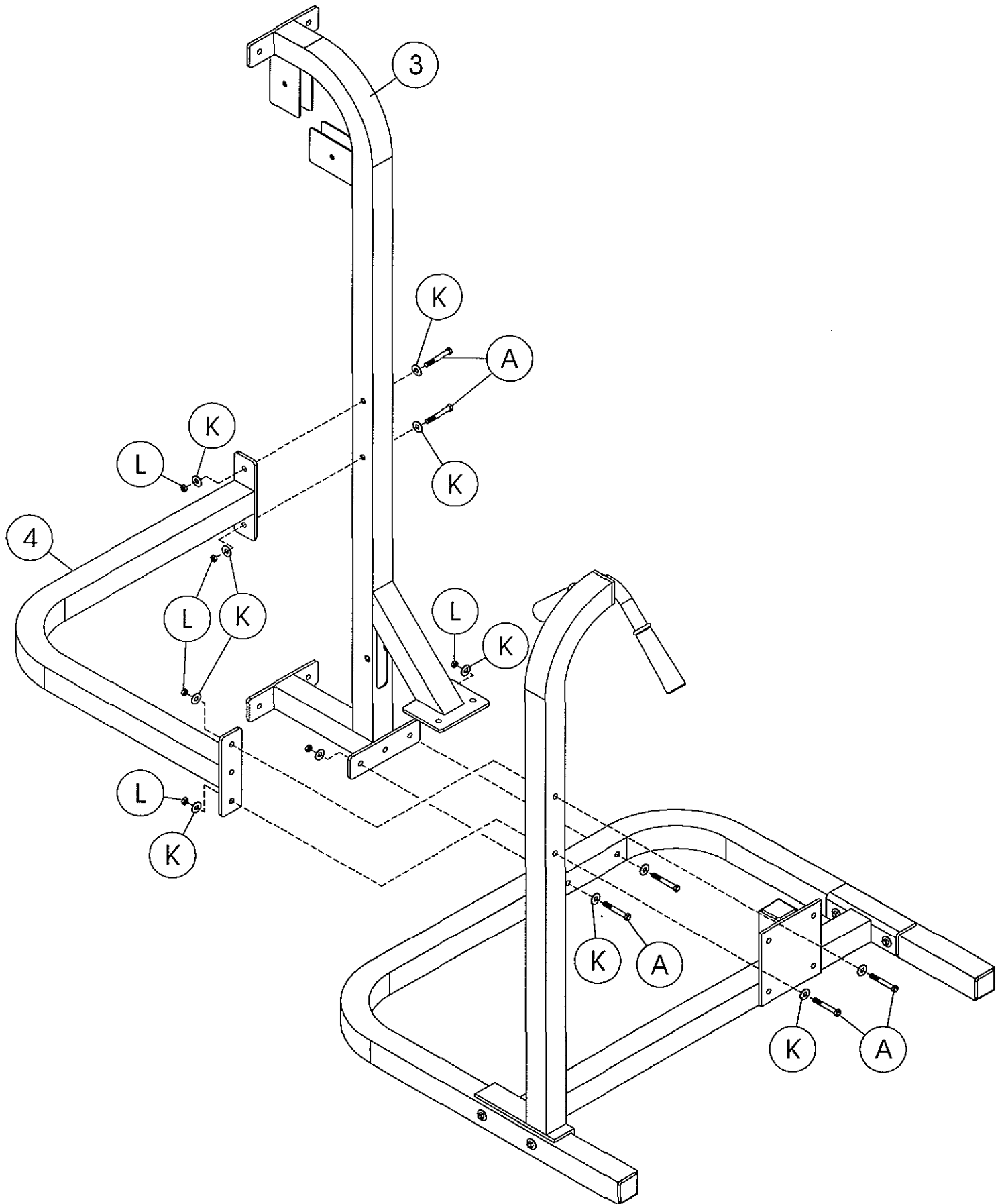
CUSTOMER CATALOG

SEPTEMBER '97

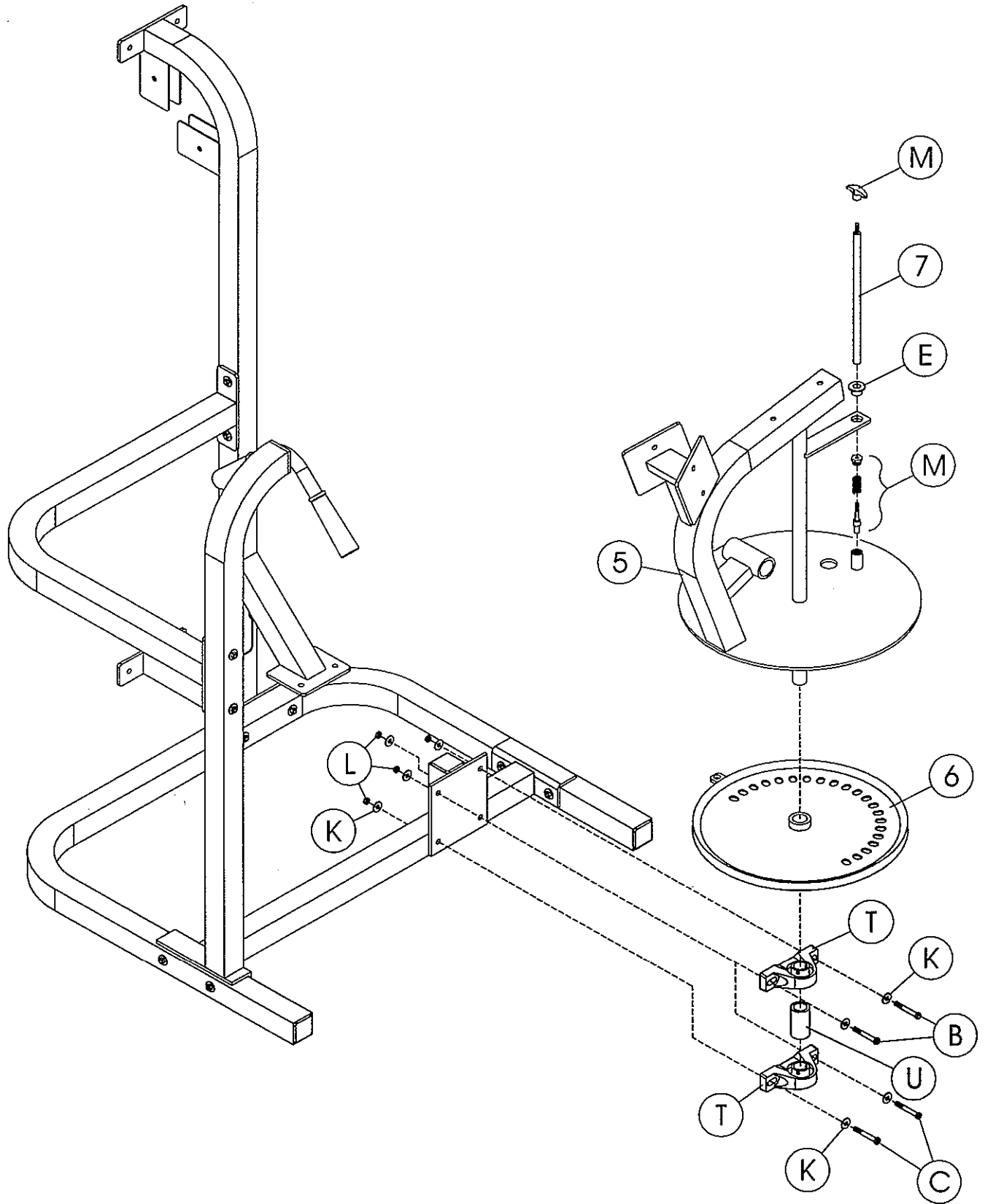
S602



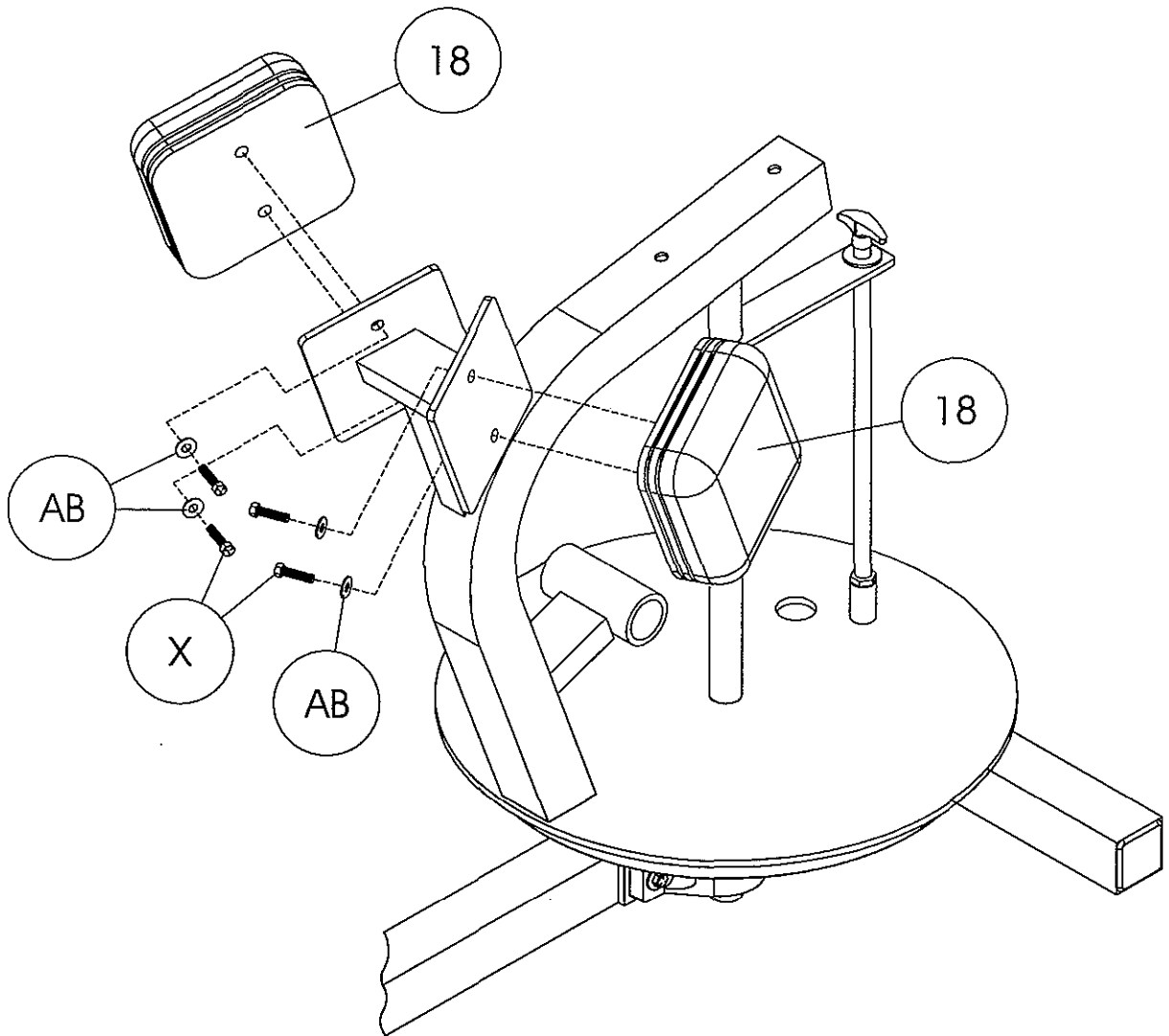
S602

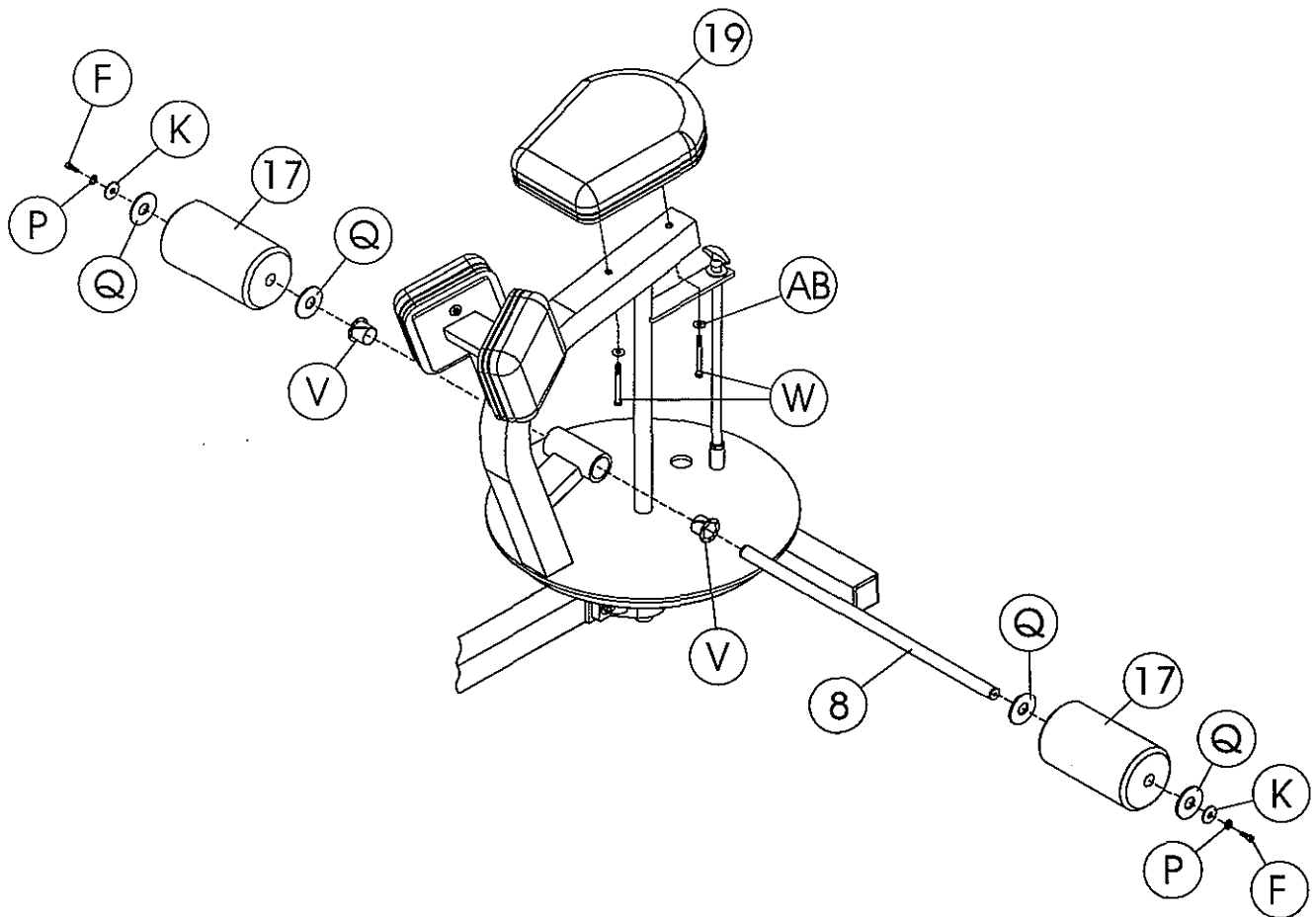


S602

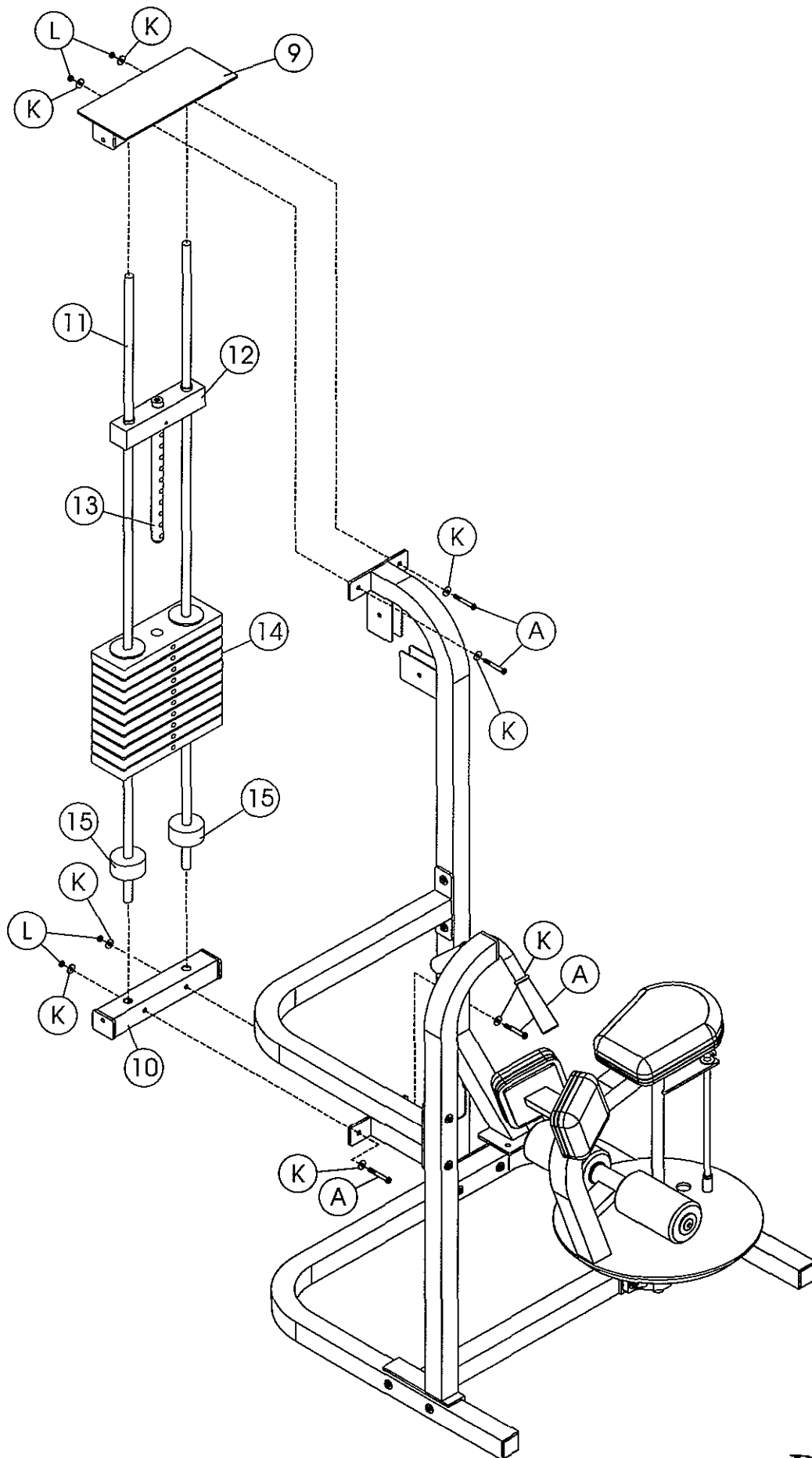


S602



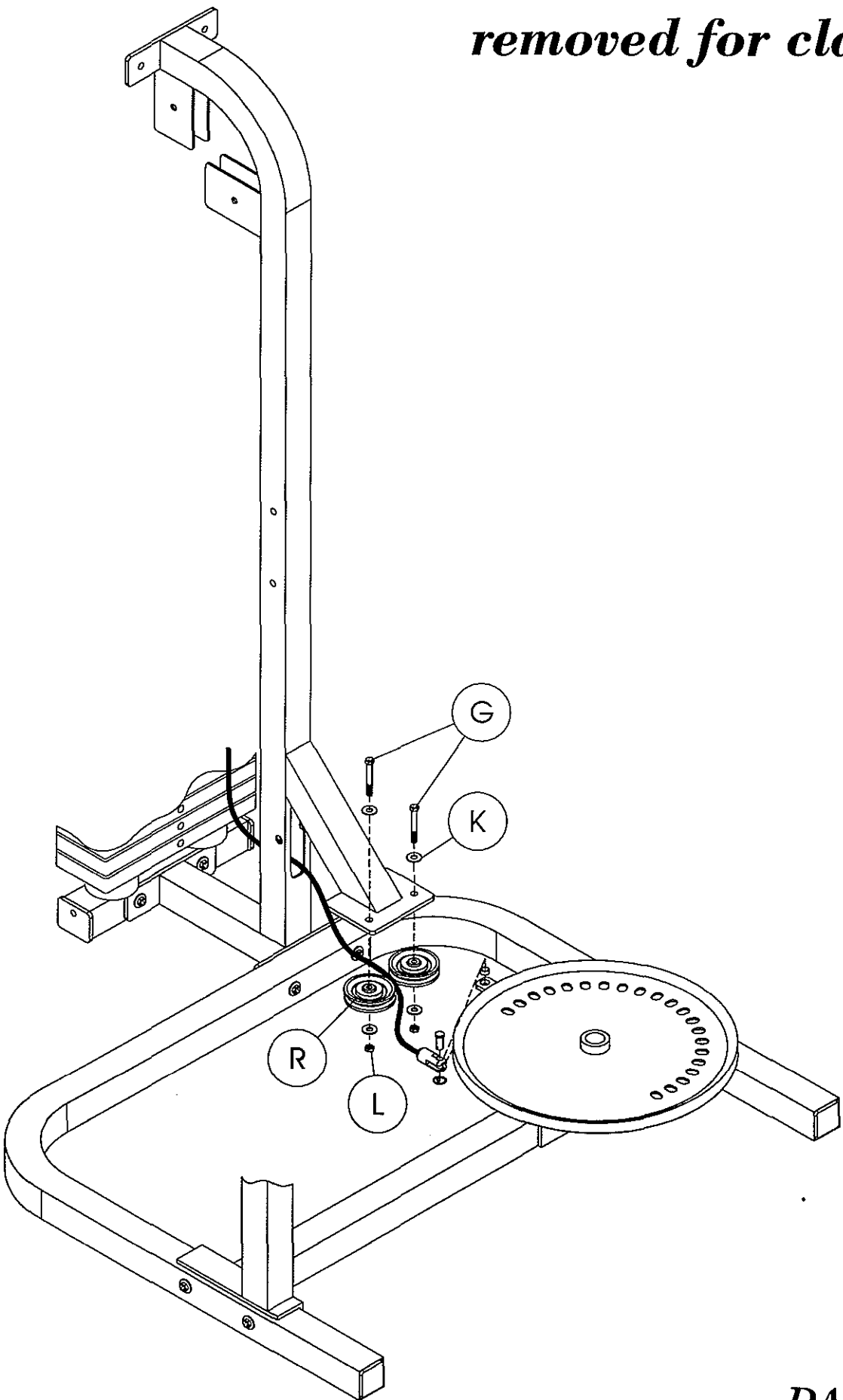


S602



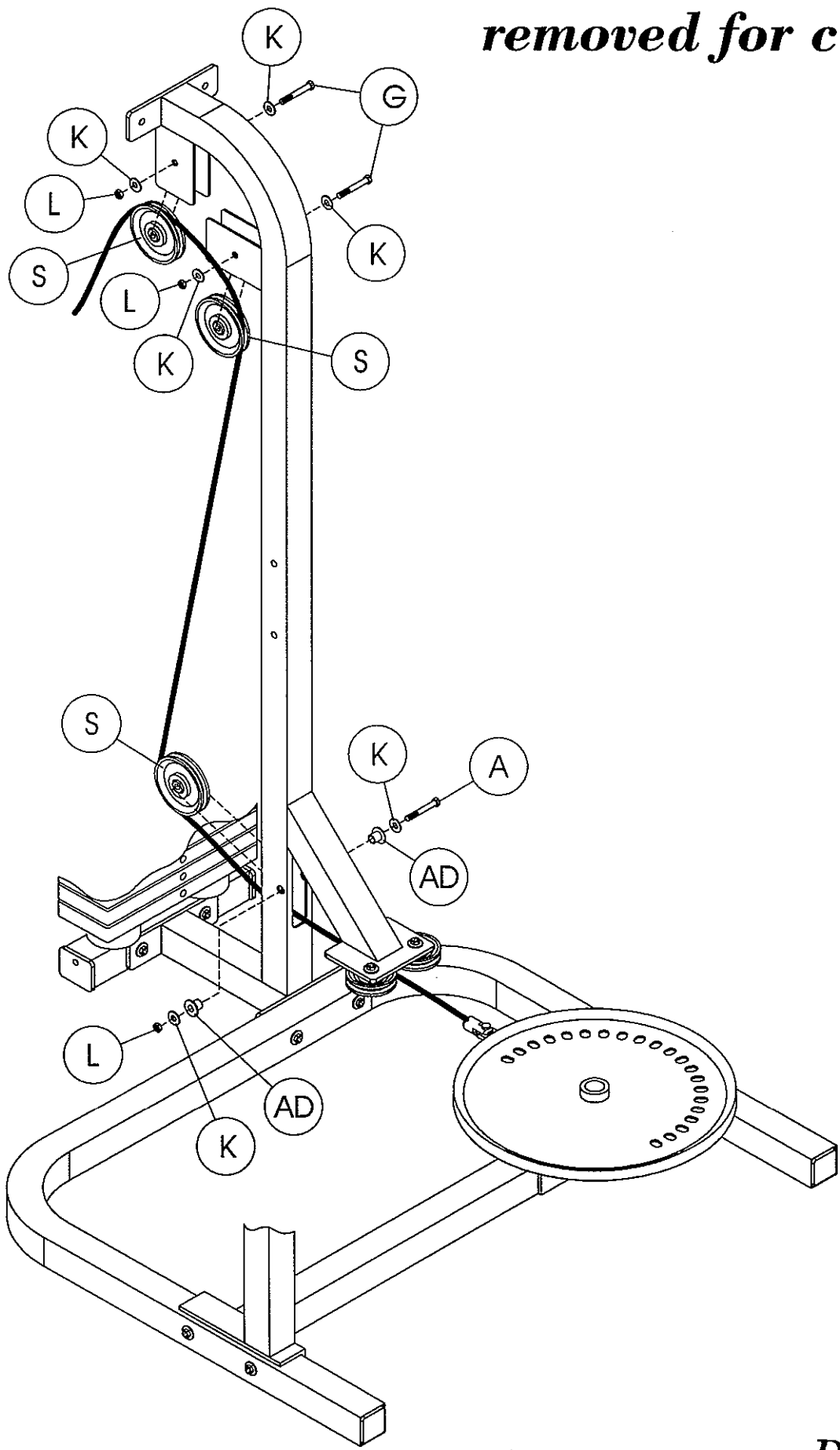
S602

Parts have been removed for clarity.

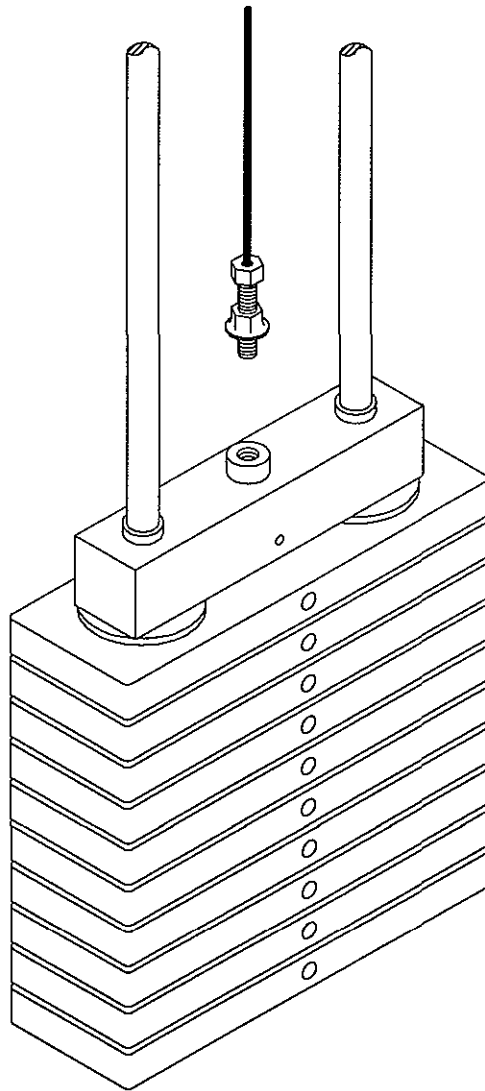


S602

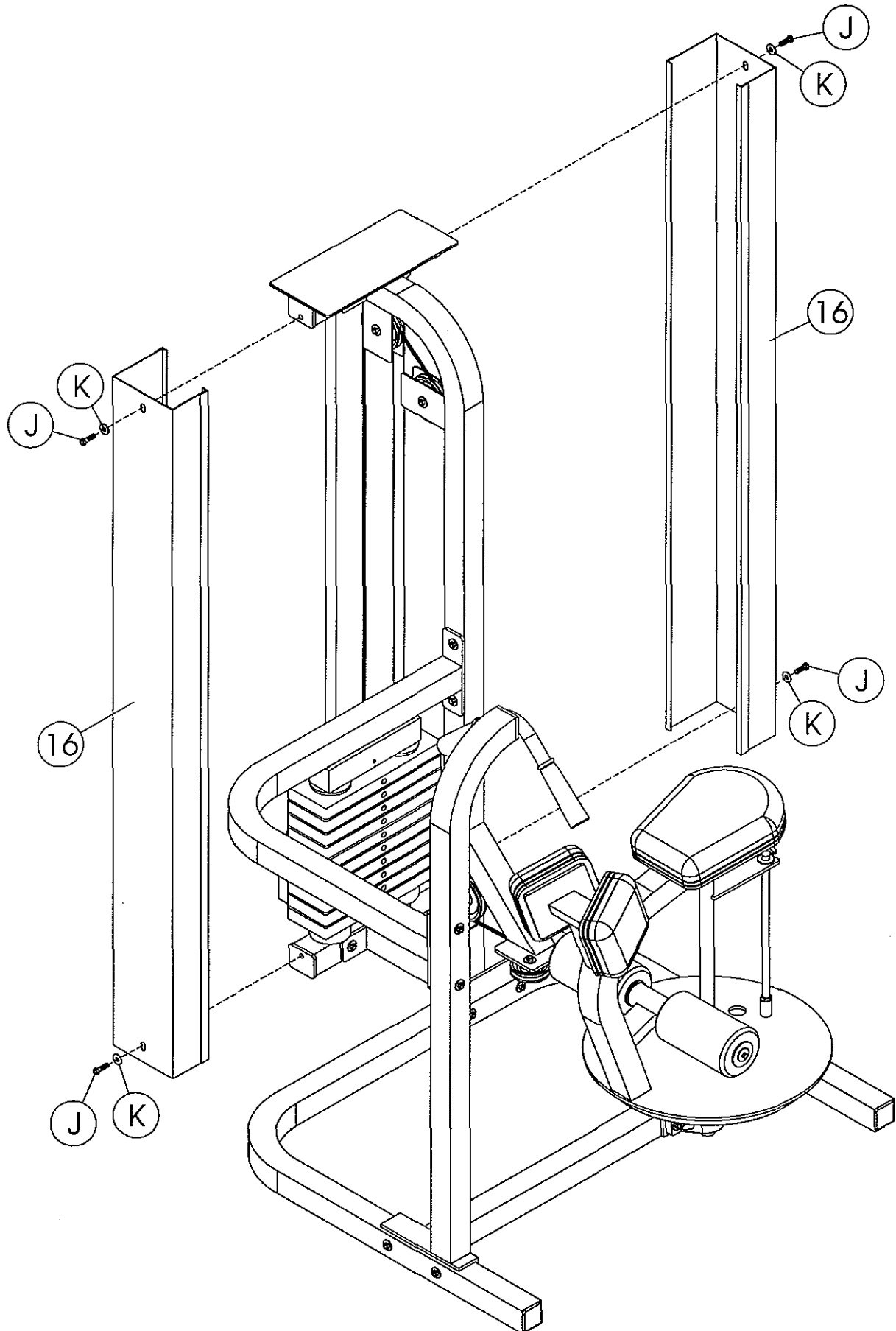
Parts have been removed for clarity.



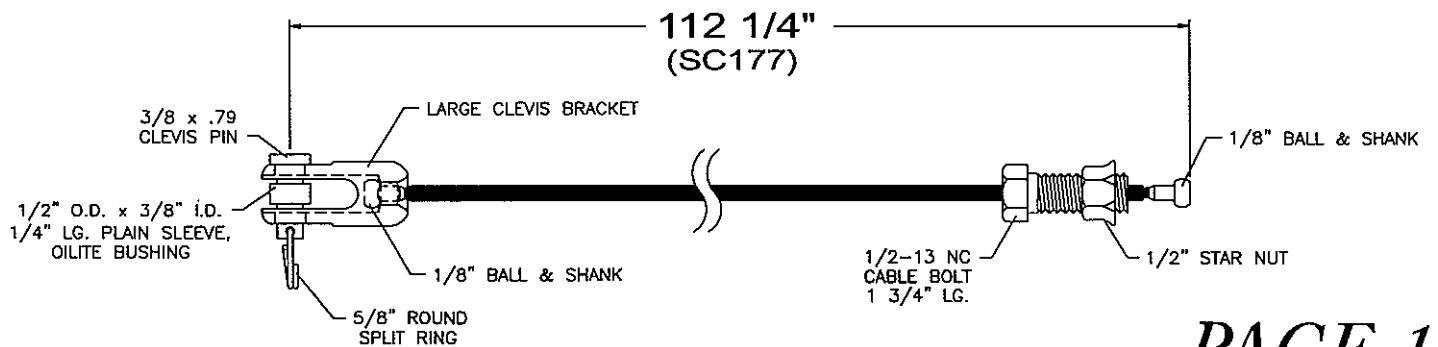
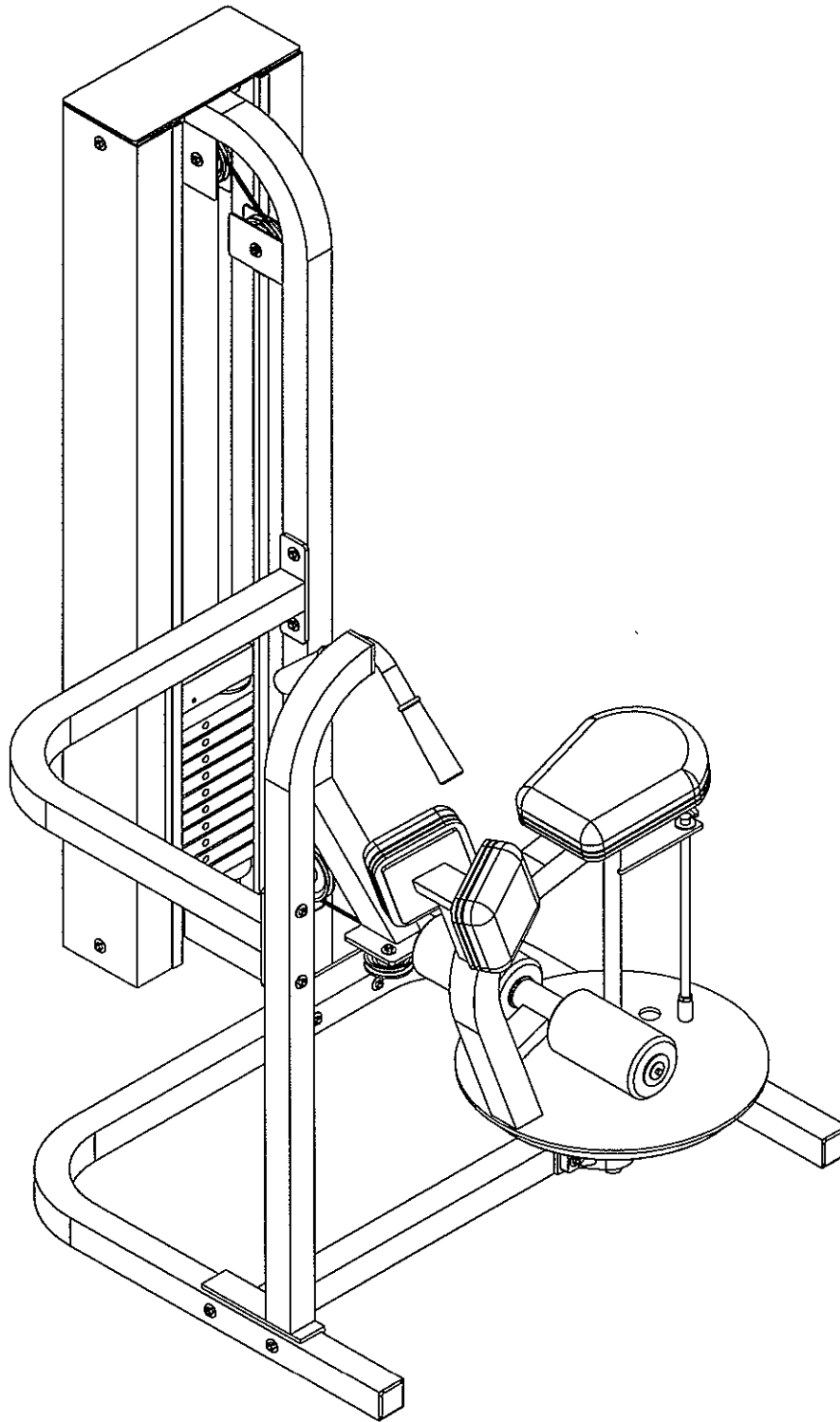
S602



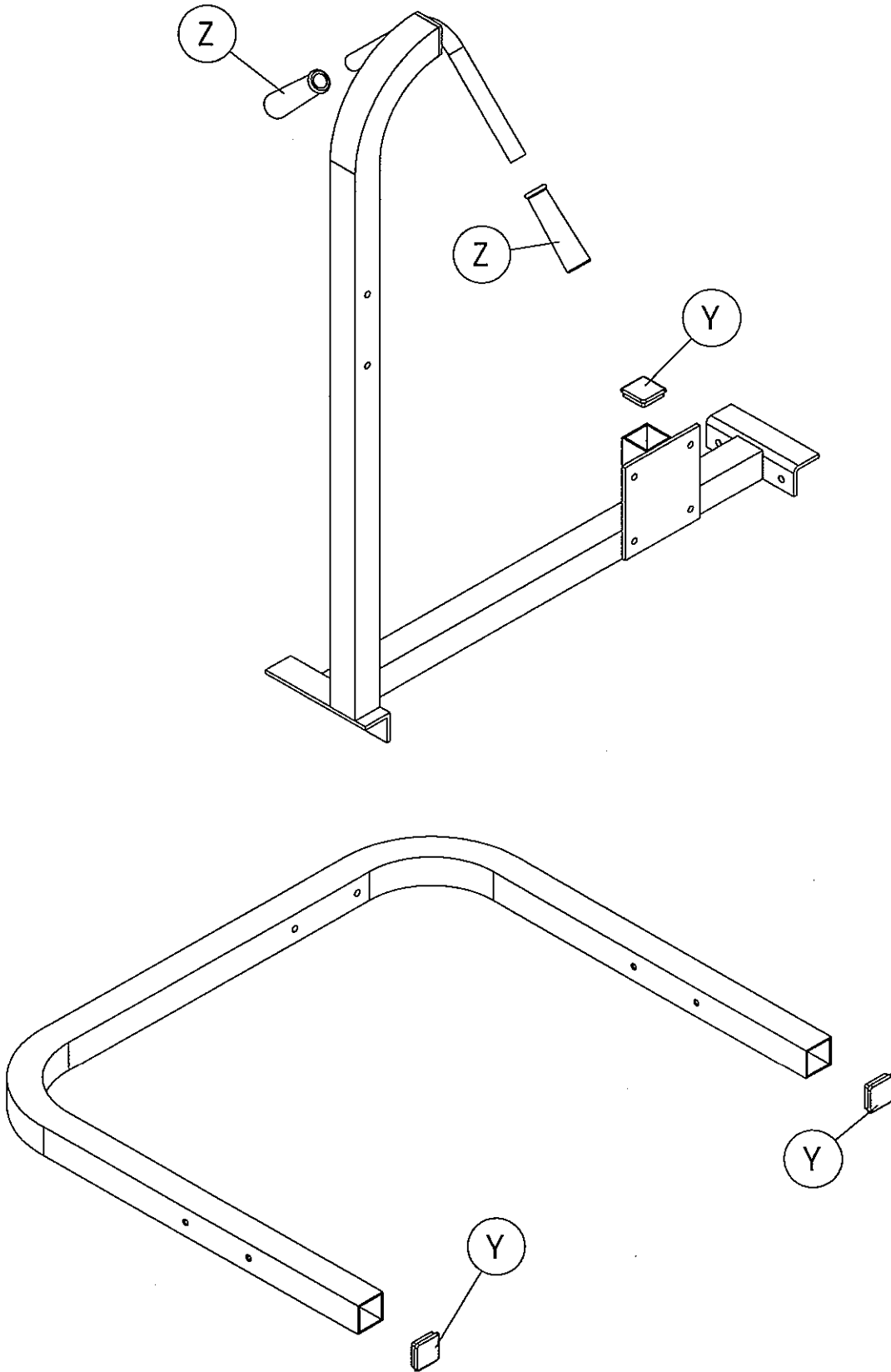
S602



S602



S602



Parts List

S602

Key No.	Qty.	Part Number	Description
1	1	61-S602-10	Base Frame
2	1	61-S602-01	Main Frame
3	1	61-S602-02	Weight Upright
4	1	61-S602-11	Crossmember Assembly
5	1	61-S602-04	Seat Assembly
6	1	61-S602-07	Cam Assembly
7	1	26-STD-SM273	Pull Pin Extender
8	1	61-S602-08	Roller Mount
9	1	61-S602-05	Weight Stack Top
10	1	61-S602-06	Weight Stack Bottom
11	2	26-STD-SG107	59 3/4" Guide Rod
12	1	26-STD-SWTOP1	8 1/4" Top Plate
13	1	10-STD-SW112	10 Hole Weight Stem
14	10	26-STD-SW101	12 1/2" lb. Intermediate Plate
15	2	19-WSB-1123	1 1/2" Shock Pad
16	2	26-STD-SSH120	59 3/4" Shield
17	2	17-RLR-7	4" Dia. x 7" Roller Pad
18	2	10-STD-SU606	6" x 6" Pad
19	1	26-STD-SU911	9" x 11" Shell Pad

Hardware List

S602

Key No.	Qty.	Part Number	Description
A	15	11-HEX-38234	3/8" x 2 3/4" Hex Bolt
B	2	11-HEX-38112	3/8" x 1 1/2" Hex Bolt
C	2	11-HEX-38312	3/8" x 3 1/2" Hex Bolt
E	1	14-ACE-58	5/8" Flanged Plastic Bushing
F	2	11-BTN-381	3/8-16 x 3/4" Button Head Cap Screw
G	4	11-HEX-38134	3/8" x 1 3/4" Hex Bolt
J	4	11-HEX-381	3/8" x 1" Hex Bolt
K	52	13-FLT-38	3/8" USS Flat Washer
L	23	12-LOK-38	3/8" Lock Nut
M	1	26-STD-SM129	1/2" Long Pull Pin
P	3	12-LOK-38	3/8" Lock Washer
Q	4	13-FND-182532212	Plastic Washer
R	2	18-PUL-312	3 1/2" Pulley
S	3	18-PUL-412	4 1/2" Pulley
T	2	14-BRG-RAD1PILP	Pillow Block Bearing
U	1	19-GRP-51OPEN	Foam Grip
V	2	14-BRG-NYL1	1" Nyliner Bushing
W	2	11-HEX-516314	5/16" x 3 1/4" Hex Bolt
X	4	11-HEX-516114T	5/16" x 1 1/4" Full Thread
Y	3	16-CAP-22	2" x 2" End Cap
Z	2	19-GRP-78514T	Tapered Grip
AB	6	13-FLT-516	5/16" USS Flat Washer
AD	2	26-STD-SM198	1/2" Long Flanged Pulley Spacer